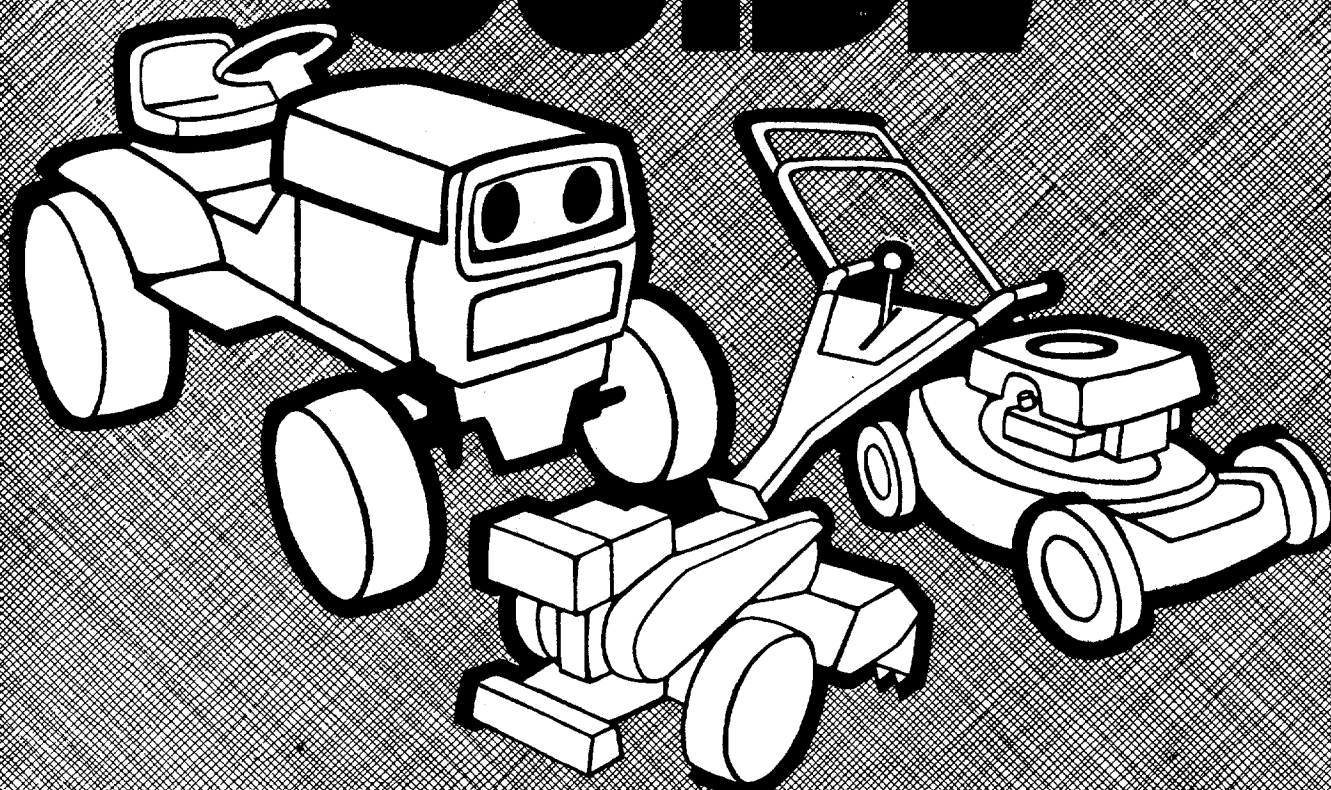


OWNER'S GUIDE



ASSEMBLY • OPERATION • MAINTENANCE • PARTS

20" REAR DISCHARGE SELF-PROPELLED ROTARY MOWERS

Important:

**Read Safety Rules and
Instructions Carefully**

Thank you
for purchasing an
American built product.

Model Numbers

122-336A

122-336-120

INDEX

Safe Operation Practices	3	Maintenance	12
Assembly Instructions	4	Off-Season Storage	16
Operation	9	Illustrated Parts	18, 20, 22
Adjustments	11	Repair Parts Lists	19, 21, 23
Lubrication	12	Parts Information	Back Cover

LIMITED WARRANTY

For one year from the date of original retail purchase, MTD PRODUCTS INC will either repair or replace, at its option, free of charge, F.O.B. factory or authorized service firm, any part or parts found to be defective in material or workmanship. Transportation charges for the movement of any power equipment unit or attachment are the responsibility of the purchaser. Transportation charges for any parts submitted for replacement under this warranty must be paid by the purchaser unless such return is requested by MTD PRODUCTS INC.

This warranty will not apply to any part which has become inoperative due to misuse, excessive use, accident, neglect, improper maintenance, alterations, or unless the unit has been operated and maintained in accordance with the instructions furnished. This warranty does not apply to the engine, motor, battery, battery charger or component parts thereof. Please refer to the applicable manufacturer's warranty on these items.

This warranty will not apply where the unit has been used commercially.

Warranty service is available through your local authorized service dealer or distributor. If you do not know the dealer or distributor in your area, please write to the Customer Service Department of MTD.

The return of a complete unit will not be accepted by the factory unless prior written permission has been extended by MTD.

This warranty gives you specific legal rights. You may also have other rights which vary from state to state.



TO PURCHASERS OF INTERNAL COMBUSTION ENGINE EQUIPPED MACHINERY OR DEVICES IN THE STATE OF CALIFORNIA

The equipment which you have just purchased does not have a spark arrester. If this equipment is used on any forest covered land, brush covered land, or grass covered unimproved land in the State of California, before using on such land, the California law requires that a spark arrester be provided. In addition, spark arrester is required by law to be in effective working order. The spark arrester must be attached to the exhaust system and comply with Section 4442 of the California Public Resources Code.



WARNING

To reduce the potential for any injury, comply with the following safety instructions. Failure to comply with the instructions may result in personal injury.

SAFE OPERATION PRACTICES FOR WALK-BEHIND MOWERS

TRAINING

1. It is suggested that this manual be read in its entirety before attempting to assemble or operate this unit. Keep this manual in a safe place for future reference and for ordering replacement parts.
2. Your rotary mower is a precision piece of power equipment, not a plaything. Therefore, exercise extreme caution at all times.
3. Read this Owner's Manual carefully. Be thoroughly familiar with the controls and the proper use of the equipment.
4. Never allow children to operate a power mower. Only persons well acquainted with these rules of safe operation should be allowed to use your mower.
5. Keep the area of operation clear of all persons, particularly small children and pets. Stop engine when they are in the vicinity of your mower. Although the area of operation should be completely cleared of foreign objects, a small object may have been overlooked and could be accidentally thrown by the mower in any direction and cause injury.

PREPARATION

1. Thoroughly inspect the area where the equipment is to be used. Remove all stones, sticks, wire, bones and other foreign objects which could be picked up and thrown by the mower in any direction and cause injury.
2. Do not operate equipment when barefoot or wearing open sandals. Always wear substantial footwear.
3. Do not wear loose fitting clothing that could get caught on the mower.
4. Check the fuel before starting the engine. Gasoline is an extremely flammable fuel. Do not fill the gasoline tank indoors, while the engine is running, or while the engine is still hot. Wipe off any spilled gasoline before starting the engine as it may cause a fire or explosion.
5. Disengage the self-propelled mechanism or drive clutch on units so equipped before starting the engine.
6. Never attempt to make a wheel or cutting height adjustment while the engine is running.
7. Mow only in daylight or in good artificial light.
8. Never operate the equipment in wet grass. Always be sure of your footing. Keep a firm hold on the handle and walk, never run.

OPERATION

1. Do not change the engine governor settings or overspeed the engine. Excessive engine speeds are dangerous.
2. Do not put hands or feet near or under rotating parts. Keep clear of the discharge opening at all times as the rotating blade can cause injury.
3. Stop the blade when crossing gravel drives, walks or roads.
4. After striking a foreign object, stop the

engine, remove the wire from the spark plug, and thoroughly inspect the mower for any damage. Repair the damage before restarting and operating the mower.

5. If the equipment should start to vibrate abnormally, stop the engine and check immediately for the cause. Vibration is generally a warning of trouble.
6. Stop the engine whenever you leave the mower, before cleaning the mower housing, and when making any repairs or inspections.
7. When cleaning, repairing or inspecting, make certain the blade and all moving parts have stopped. Disconnect the spark plug wire, and keep the wire away from the plug to prevent accidental starting.
8. Before attempting to unclog the mower or discharge chute, stop the engine and be sure the blade has stopped completely. The cutting blade continues to rotate for a few seconds after the engine is shut off. Never place any part of the body in the blade area until you are sure the blade has stopped rotating. Disconnect the spark plug wire and keep the wire away from the plug to prevent accidental starting.
9. Do not run the engine indoors.
10. Shut the engine off and wait until the blade comes to a complete stop before removing the grass catcher or unclogging chute.
11. Mow across the face of slopes, never up-and-down. Exercise extreme caution when changing direction on slopes. Do not mow excessively steep slopes.
12. Always disconnect electric mowers (line operated) before cleaning, repairing or adjusting.
13. Never operate mower without proper guards, plates or other safety protective devices in place.
14. Keep washout ports and other mower-housing service openings closed when mowing.
15. **DO NOT OPERATE** this mower with the chute doors open, unless the complete grass catcher is properly mounted on the mower.

MAINTENANCE AND STORAGE

1. Check the blade and engine mounting bolts at frequent intervals for proper tightness.
2. Keep all nuts, bolts, and screws tight to be sure the equipment is in safe working condition.
3. Never store the equipment with gasoline in the tank inside of a building where fumes may reach an open flame or spark. Allow the engine to cool before storing in any enclosure.
4. To reduce fire hazard, keep the engine free of grass, leaves, or excessive grease.
5. Check the grass catcher bag frequently for wear or deterioration. For safety protection, replace only with new bag meeting original equipment specifications.

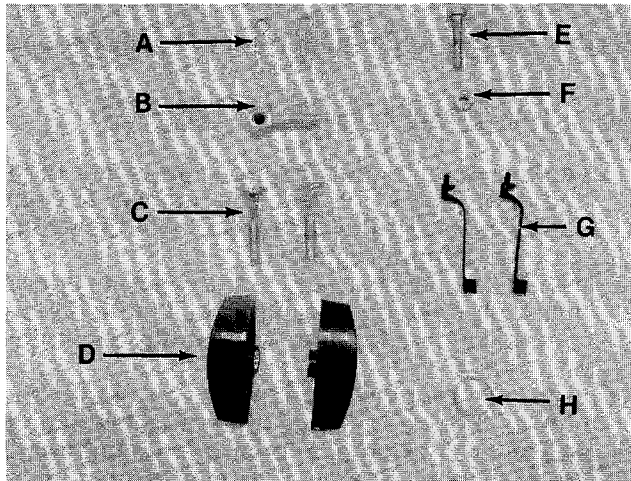


FIGURE 1.

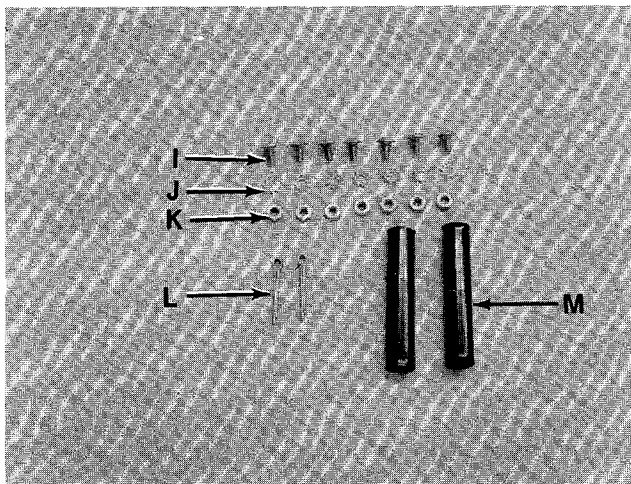


FIGURE 2.

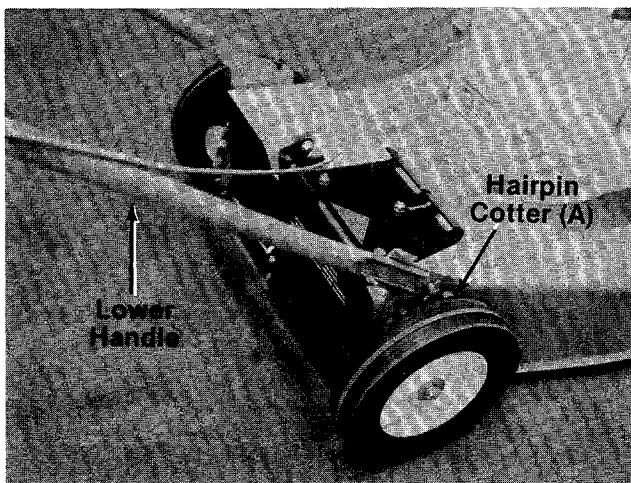


FIGURE 3.

ASSEMBLY INSTRUCTIONS

NOTE

This unit is shipped WITHOUT GASOLINE or OIL. After assembly, see operating section of this manual for proper fuel and engine oil recommendations.

← Contents of Hardware Pack:

- A (2) Hairpin Cotter
- B (1) Ferrule
- C (2) Curved Carriage Bolts 5/16-18 x 1.75" Long
- D (2) Hand Knobs
- E (1) Hex Bolt 1/4-20 x 1.50" Long
- F (1) Hex Center Lock Nut 1/4-20 Thd.
- G (2) Cable Ties
- H (1) Ferrule Locking Ring

- I (7) Truss Head Bolts 3/8" Long
- J (7) External Lock Washers
- ← K (7) Hex Nuts #10-24 Thread
- L (2) Cotter Pins
- M (2) Tubing Connectors

1. Remove the lawn mower, loose parts, hardware pack and literature from the carton. Make certain all parts and literature have been removed before the carton is discarded.
2. Extend the throttle control which is attached to the engine and place on the floor. Be careful not to bend or kink control wire.
3. Fasten lower handle in position over weld pins in handle mount brackets on deck. The hole for the engagement rod in the lower handle must be on the **left** side of the unit. Secure with hairpin cotter (A) in inner hole on weld pin. See figure 3.

NOTE

Reference to right hand or left hand side of the mower is observed from the operating position.

NOTE

It may be necessary to squeeze the ends of the lower handle in slightly to assure a snug fit against the handle brackets.

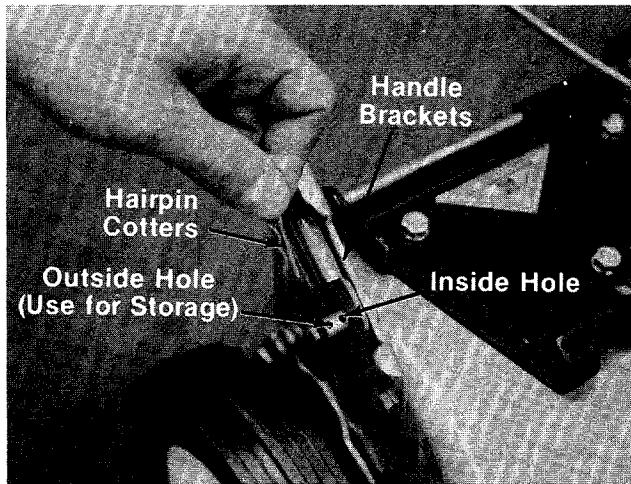


FIGURE 4.

NOTE

There are two (2) holes in the handle mount brackets. Place the lower handle against the brackets and secure with hairpin cotter in the inner hole. Inner hole is for operation. Outer hole is for storage. See figure 4.

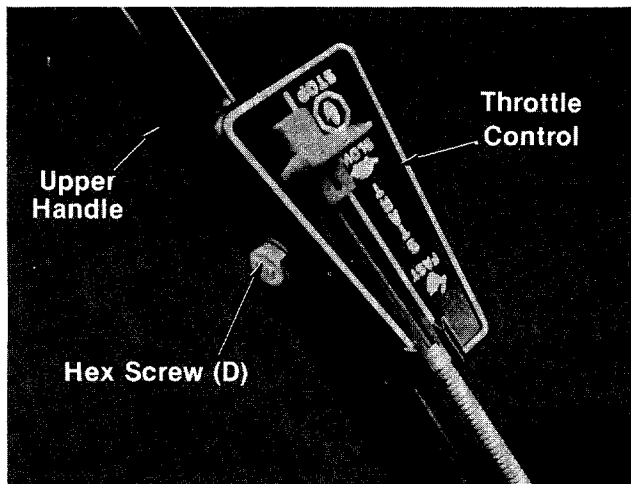


FIGURE 5.

NOTE

There are two height positions for the handle. See adjustment section.

4. Assemble upper handle to lower handle. Secure with two curved carriage bolts (C) and hand knobs (D) as shown in figure 5. The hand knobs may be assembled either to the inside or the outside of the handle.
5. Place the throttle control in position on left side of upper handle. Secure with hex bolt (E) and lock nut (F). See figure 5.

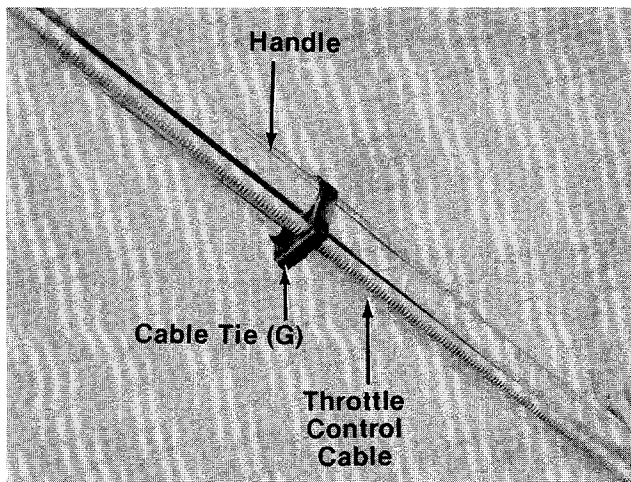


FIGURE 6.

6. Secure throttle control cable to upper and lower handles with cable ties (G) provided. See figure 6.
7. Check all nuts and bolts for correct tightness.

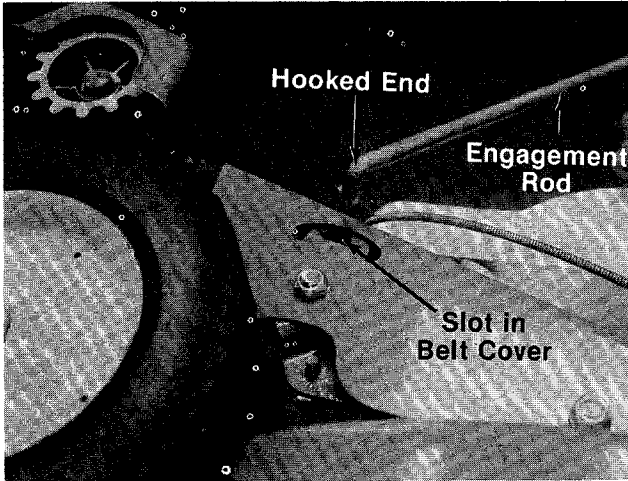


FIGURE 7.

8. Hook the end of engagement rod into idler bracket located inside slot on belt cover. See figure 7. ←
9. Pull the engagement rod back until the idler bracket is at the rear of the slot on belt cover.

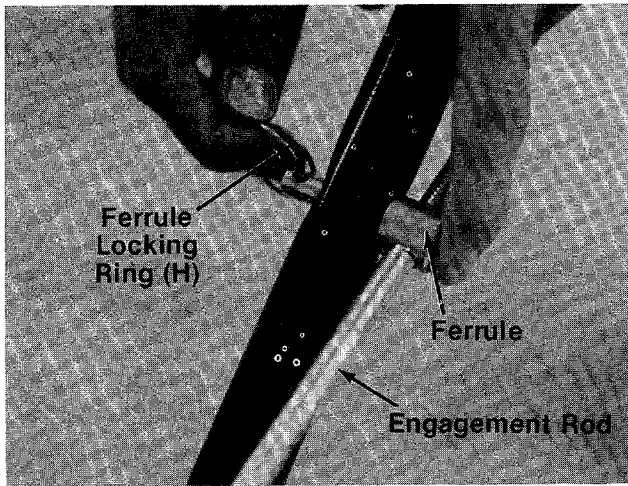


FIGURE 8.

10. With handle in the down position (released), place ferrule (B) on threaded end of engagement rod. Thread ferrule onto engagement rod until it lines up with the hole in lower handle.
11. Place ferrule into hole in lower handle. Secure with ferrule locking ring (H). See figure 8. ←
12. Check the engagement rod adjustment. Disconnect the spark plug wire from the spark plug. Pull the recoil starter handle without raising the mower handle. If the mower does not move forward, adjustment is correct. If the mower moves forward, remove the ferrule locking ring from the ferrule and thread in or out one turn. Repeat the above check as necessary.

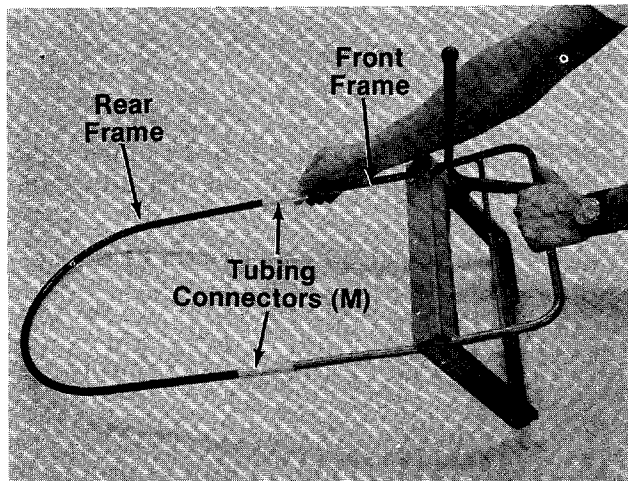


FIGURE 9.

Grass Catcher Assembly

1. Connect the front and the rear frames by pushing the tubing connectors (M) onto the ends of the frames. See figure 9. ←

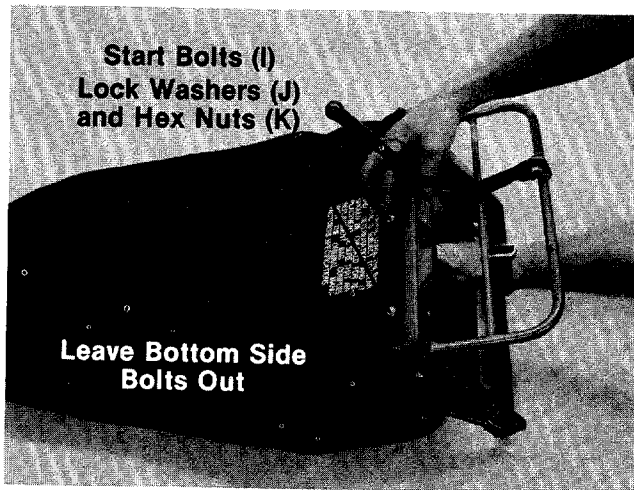


FIGURE 10.

2. Slip frame into grass bag. The black plastic is the bottom of the grass bag. Fasten edges of bag (with eyelets) to front frame with 3/8" bolts (I), lock washers (J) and hex nuts (K). Finger tighten. See figure 10. Hint: For easier assembly **Do Not** fasten lower bolts on sides until after step 3.

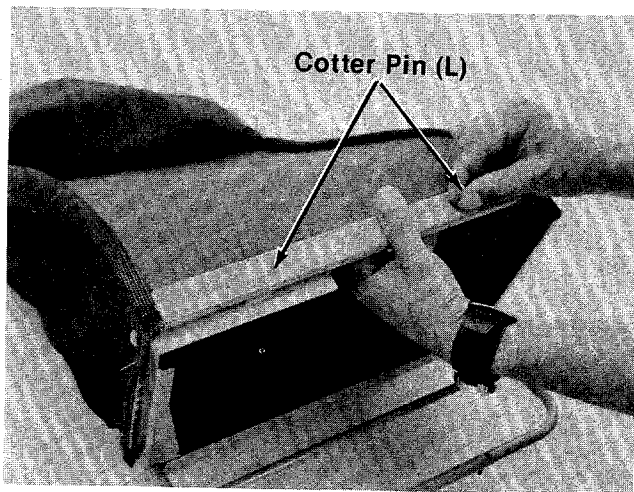
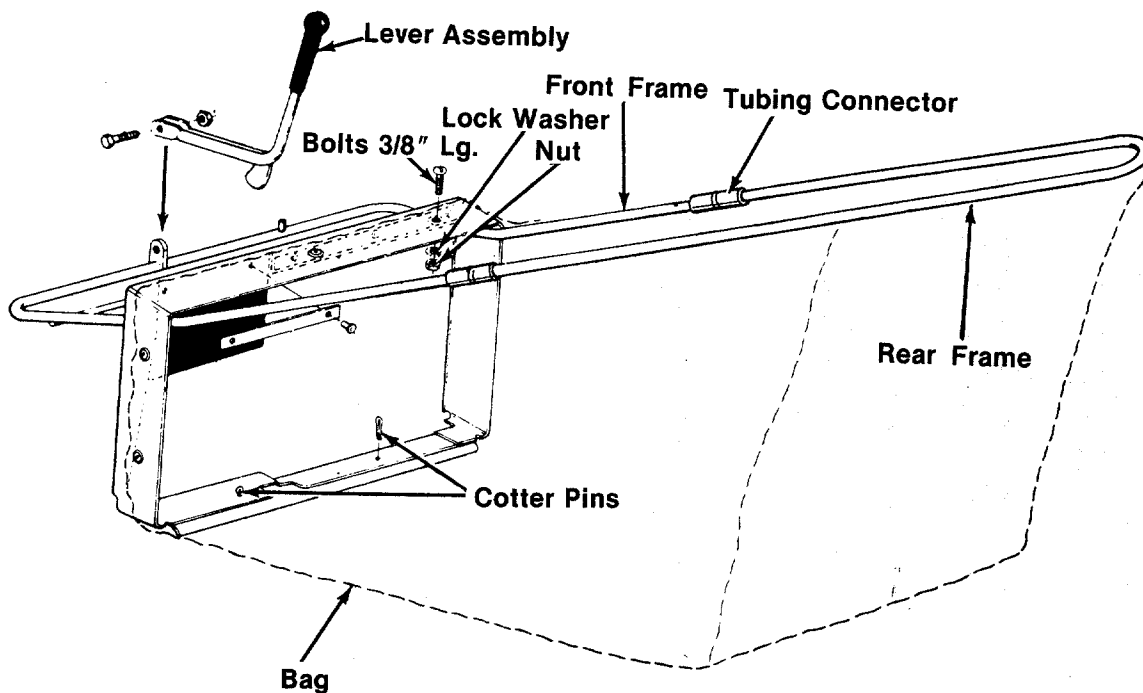


FIGURE 11.

3. Stand bag on end with open end up. Pull bottom of bag forward into slot. Align holes and slip cotter pins (L) into holes. Spread ends of pins to secure bag to frame. See figure 11. Tighten all nuts and bolts securely with screwdriver.



To Attach Bag to Mower



WARNING

← Under no circumstances should the doors be opened while the engine is operating unless the grass catcher is securely in place.

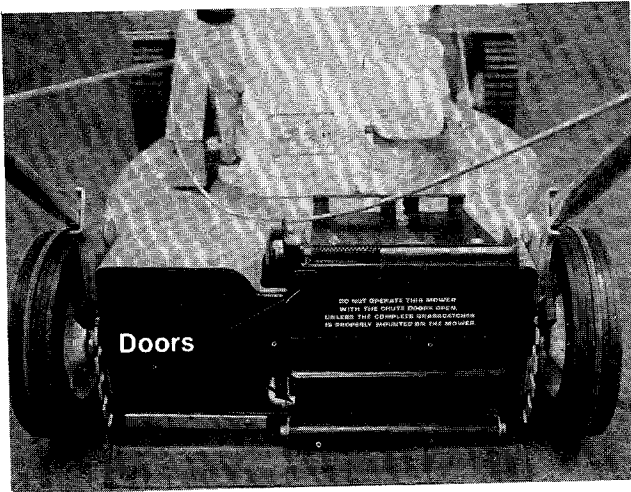
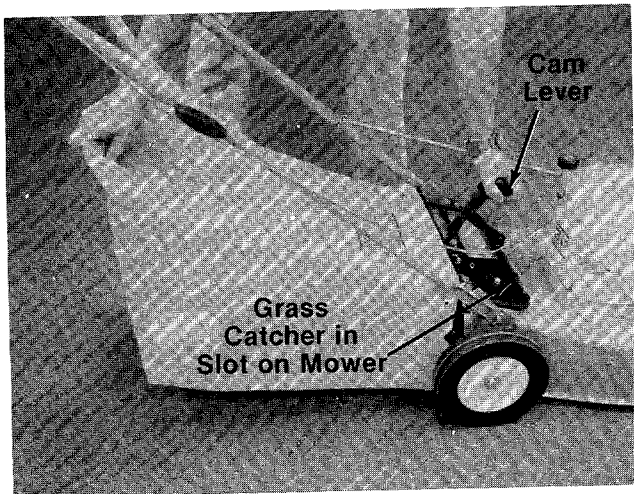
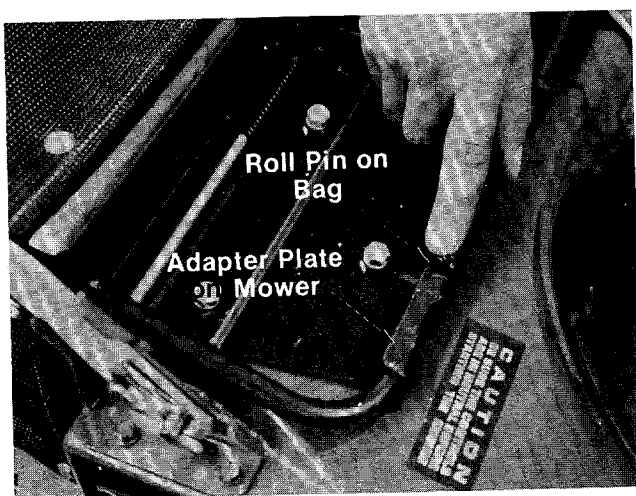


FIGURE 12.



1. Attach the grass catcher frame to the front of the adapter as shown in figure 13.

FIGURE 13.



← Tilt bag slightly forward and slide roll pin on bag frame into slot on mower. See figure 14. Push down on bag to position on mower.

FIGURE 14.

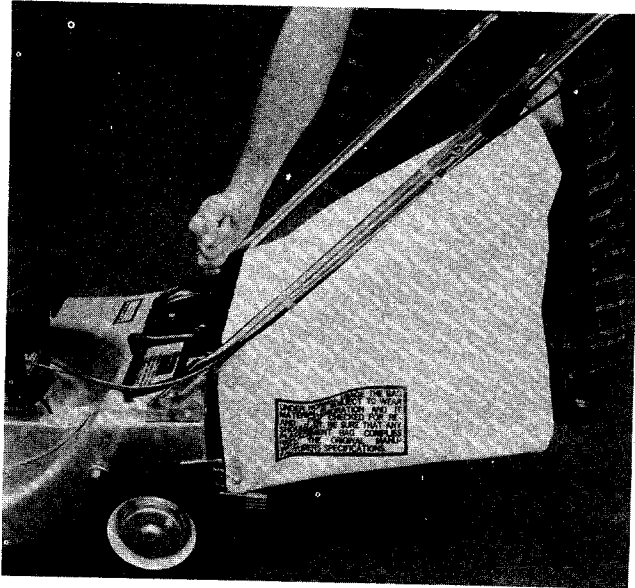


FIGURE 15.

2. Pull cam lever back and down to lock grass catcher on mower. This automatically opens rear discharge doors on mower. See figure 15.
- ←
- To remove the grass catcher, unlock the locking lever and lift off the grass catcher.

OPERATION

DO NOT OPERATE THIS MOWER WITH THE CHUTE DOORS OPEN, UNLESS THE COMPLETE GRASSCATCHER IS PROPERLY MOUNTED ON THE MOWER.



FIGURE 16.

Keep hands and feet away from the chute area on cutting deck. See figure 16.

NOTE

For shipping purposes your mower is set with the wheels in a low cutting height position. For best results, raise the cutting position until it is determined which height is best for your lawn. See adjustment section.

BREAK-IN INSTRUCTIONS

This mower should be broken in following the procedure described below. The added effort here will double the service life of the unit. Particular attention should be paid to the drive assembly adjustment.

1. Before starting the engine, lubricate all the bronze bearings on the drive shaft. The same oil which is used for the engine may be used for this.
2. Check drive assembly adjustment. Refer to step number twelve under assembly instructions.

BEFORE STARTING

1. Follow "Break-In Instructions." See above.
2. Fill sump with oil, using a high quality detergent oil classified "For Service SC, SD, SE or MS." Use SAE 30 or SAE 10W-30 viscosity grade oil. Nothing should be added to the recommended oil.

Place engine level. Remove oil fill plug. See figure 17. Fill oil sump to point of overflowing. Pour slowly. Capacity 1¼ pints.

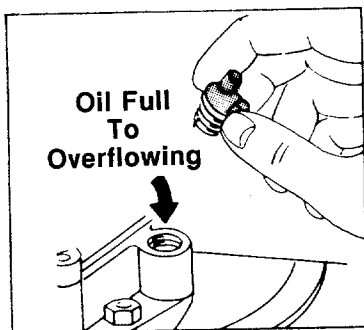


FIGURE 17.

3. Fill fuel tank, using clean, fresh, leaded **regular** grade automotive gasoline. Fill tank completely.
DO NOT MIX OIL WITH GASOLINE.

TO START ENGINE

1. Make sure handle is all the way back (free-wheeling position).
2. Move throttle control lever on engine to "START" position.
3. Place foot on right side of deck and hold handle to prevent tipping the unit. Grasp starter handle as shown in figure 18 and pull out rapidly. Return it slowly to the engine. Repeat if necessary.



When starting the unit, place the unit facing a solid object to stop it if it is not correctly adjusted to be in "Neutral" position. If the unit shows signs of motion with the handle back in the "free-wheeling" position, shut off the engine immediately. Readjust the clutch rod as necessary. Refer to step number 12 under Assembly Instructions.

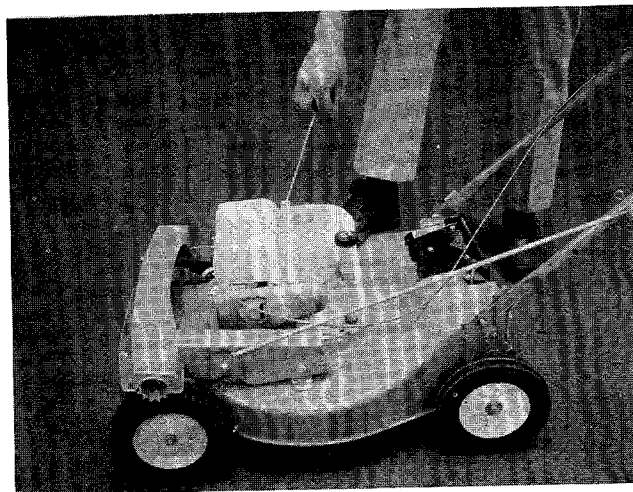


FIGURE 18.

4. After engine starts, move throttle control lever to desired speed.

TO STOP ENGINE

1. Move throttle control lever to "STOP" position.
2. Remove spark plug wire from spark plug and ground to prevent accidental starting while equipment is unattended.

TO ENGAGE DRIVE

Move the handle forward for self-propelled operation.

To stop the forward drive, release the handle. The unit will be free-wheeling. Self-propelled drive is resumed when handle is raised.

This mower is designed to be operated at full throttle to give you the best cut and do the most effective job of bagging the cut grass.

Be sure that lawn is clear of stones, sticks, wire, or other objects which could damage lawn mower or engine. For best results, do not mow when lawn is excessively wet.



If you strike a foreign object, stop the engine. Remove wire from spark plug, thoroughly inspect the mower for any damage, and repair the damage before restarting and operating the mower.

ADJUSTMENTS



CAUTION

Do not at any time make any adjustment to lawn mower without first stopping engine and disconnecting spark plug wire.

CUTTING HEIGHT

An adjusting plate and thumb lever at each wheel position provides cutting height adjustment. Each adjusting plate has five holes. Height of cut will be changed when the thumb lever is moved from one hole to another. Simply depress thumb lever towards wheel and move wheel and lever assembly to desired position. All wheels must be placed in the same relative position. See figure 19.



IMPORTANT

The engagement rod must be readjusted when the cutting height on the mower is changed. See engagement rod adjustment.

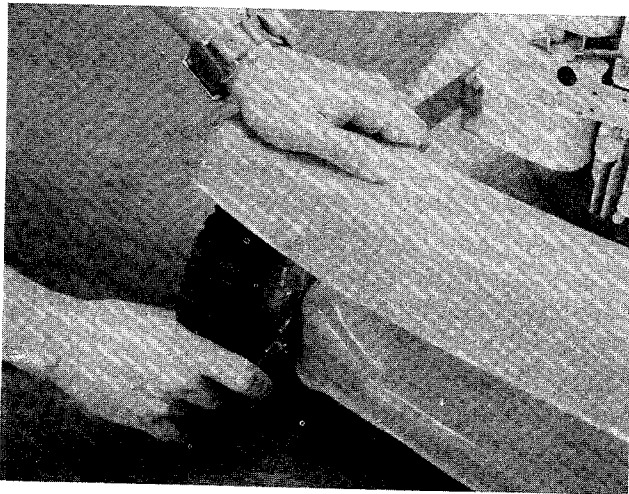


FIGURE 19.

ENGAGEMENT ROD ADJUSTMENT

To adjust the engagement rod, refer to step number twelve under assembly instructions.

The engagement rod must be adjusted each time the cutting height is changed. The ferrule will be moved toward the end of the rod as the cutting height is raised. See figure 20.

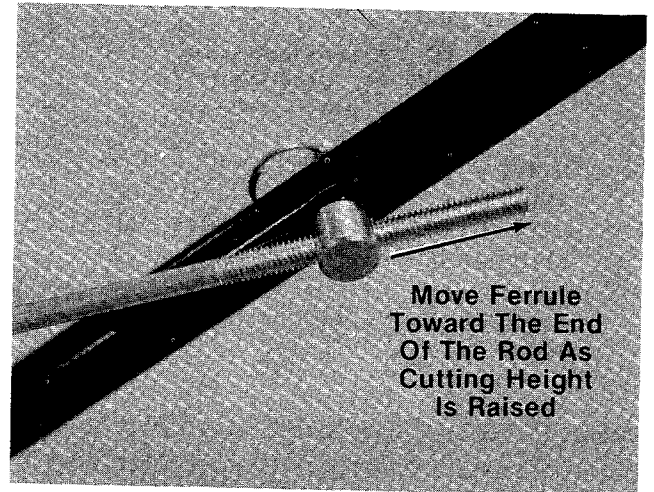


FIGURE 20.

THROTTLE

If adjustment becomes necessary, the throttle control wire assembly can be reset as follows:

1. Loosen, but do not remove, the screw securing throttle control wire assembly at engine.
2. Move throttle control lever on handle to "FAST" position.
3. Move lever to which control wire is fastened at engine to full open position. Retighten screw to secure throttle control wire assembly.

HANDLE POSITION

The upper handle can be adjusted to a high or low position. The operator of the lawn mower can easily adjust the handle position by unscrewing the two knobs, removing the two bolts and reassembling in the other position. No tools are necessary to make this adjustment. See figure 21.

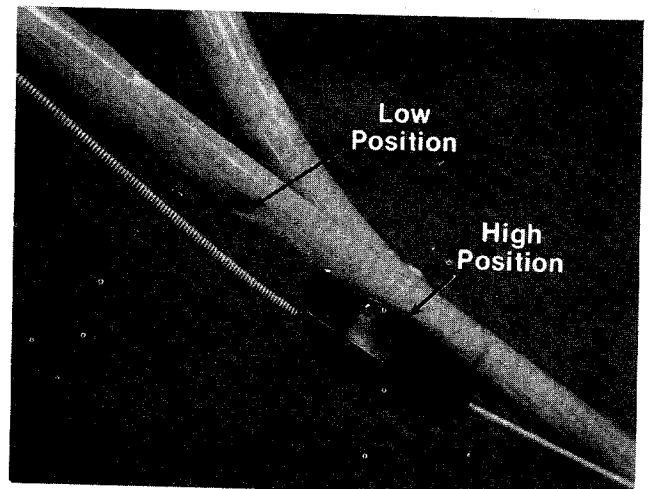


FIGURE 21.



WARNING

If any adjustments are made to the engine while the engine is running (e.g. carburetor), disengage all clutches and blades. Keep clear of all moving parts. Be careful of heated surfaces and muffler.

CARBURETOR ADJUSTMENTS (See Figure 22)

Minor carburetor adjustment may be required to compensate for differences in fuel, temperature, altitude and load.

All carburetor adjustments should be made with the air cleaner on engine. Air cleaner mounting screw must be in carburetor when engine is run. Best adjustment is made with a fuel tank half full of gasoline.

To Adjust Carburetor:

1. Start engine and run long enough to warm it to operating temperature.
If engine is out of adjustment so that it will not start, close the needle valve by turning it clockwise. Then open needle valve 1-1/2 turns counterclockwise.
2. Move engine control to run engine at normal operating speed.
 - a. Turn needle valve in clockwise until engine starts to lose speed (lean mixture).
 - b. Then slowly turn needle valve out counterclockwise past the point of smoothest operation until engine just begins to run unevenly (rich mixture).
 - c. Turn needle valve back in clockwise very slowly till engine runs evenly.
 - d. Final adjustment of the needle valve should be slightly to the rich side (turn counterclockwise) of the mid-point.
3. Move engine control to SLOW. Turn idle adjusting screw until a fast idle is obtained (1750 R.P.M.).
4. To check adjustment, move engine control from SLOW to FAST speed. Engine should accelerate smoothly. If engine tends to stall or die out, increase idle speed or readjust carburetor, usually to a slightly richer mixture.

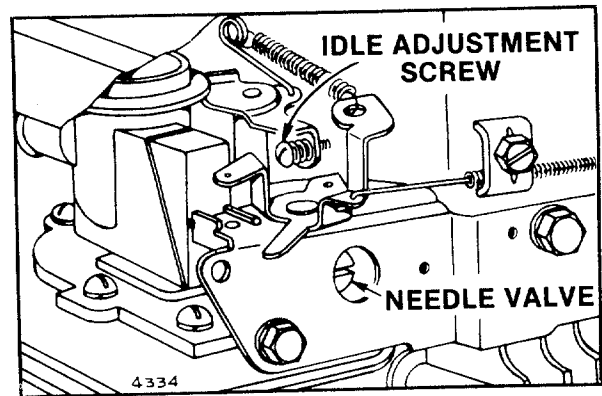


FIGURE 22.
LUBRICATION



IMPORTANT

Always stop engine and disconnect spark plug wire before cleaning, lubricating or doing any kind of work on lawn mower.

Wheels—Front and rear wheel bearings are of self-lubricating Fortiflex. They require no lubrication. However, if the wheels are removed for any reason, lubricate the surface of the axle bolt and the inner surface of the wheel with light oil. A 4 oz. plastic bottle of light oil lubricant is available. Order part number 737-0170. Engine oil may also be used.

Engine—Follow engine manual for lubrication instructions.

Throttle—Periodically lubricate throttle control lever and throttle wire assembly with a few drops of light oil for ease of operation.

Discharge Chute Door Mechanism—The torsion spring and pivot point should be lubricated periodically with light oil to prevent any rust or binding. Doors must work freely.

Bronze Bearings—Periodically lubricate all bronze bearings with a few drops of light oil to minimize friction.

MAINTENANCE

CUTTING BLADE

- A. Removal for Sharpening or Replacement



WARNING

Be sure to disconnect and ground the spark plug wire before working on the cutting blade to prevent accidental engine starting.

1. Remove the large bolt and lock washer which holds the blade and adapter to the engine crankshaft.
2. Remove the blade and adapter from the crankshaft. Be careful not to lose the key on the crankshaft.
3. If the blade or blade adapter needs replacing, remove the two small bolts, lock washers and nuts which hold the blade to the adapter.

B. Sharpening

Remove the cutting blade by following the directions of the preceding section.

When sharpening the blade, follow the original angle of grind as a guide. It is **extremely important** that each cutting edge receives an equal amount of grinding to prevent an unbalanced blade. An unbalanced blade will cause excessive vibration when rotating at high speeds, may cause damage to the mower and could break, causing personal injury.

The blade can be tested for balance by balancing it on a round shaft screwdriver. Remove metal from the heavy side until it balances evenly.



NOTE

It is recommended that the blade always be removed from the adapter for the best test of balance.

C. Reassembly

Before reassembling the blade and the blade adapter to the unit, lubricate the engine crankshaft and the inner surface of the blade adapter with light oil. Lubricating the bolt holes, bolts and inner surface of the nuts with light oil is also recommended. A 4 oz. plastic bottle of light oil lubricant is available. Order part number 737-0170. Engine oil may also be used.

When replacing the blade, be sure to install the blade with the side of the blade marked "Bottom" (or with part number) facing the ground when the mower is in the operating position. Make certain key is in place on the crankshaft.

Blade Mounting Torque

- 3/8" Dia. Bolt 375 in. lb. min., 450 in. lb. max.
- 5/16" Dia. Bolt 150 in. lb. min., 250 in. lb. max.

To insure safe operation of your unit, ALL nuts and bolts must be checked periodically for correct tightness.

DECK

The underside of mower deck should be cleaned after each period of use as grass clippings, leaves, dirt and other matter will accumulate. This accumulation of grass clippings, etc., is undesirable as it will invite rust and corrosion and may cause an uneven discharge of grass clippings at the next cutting.

The deck may be cleaned by tilting the mower forward or on its side and scraping clean with a suitable tool or by washing with a stream of water from a garden hose.



CAUTION

Do not direct the stream of water at a hot engine as damage to the engine may result.

ENGINE OIL

Check oil level before starting engine and after every 5 hours of operation.

ADD oil as necessary to keep level to FULL to point of overflowing.

Before removing oil fill plug, clean area around plug to prevent dirt from entering oil fill hole.

Engine should be in a level position when checking oil.

Change oil after first 5 hours of operation. Thereafter change every 25 hours. Change oil while engine is warm. Oil may be drained thru oil fill hole by tipping the unit on its side. Oil capacity 1¼ pints.

AIR CLEANER

Service air cleaner every 25 hours under normal conditions. Clean every few hours under extremely dusty conditions. Poor engine performance and flooding usually indicates that the air cleaner should be serviced. See figure 23.

1. Remove screw.
2. Remove air cleaner carefully to prevent dirt from entering carburetor.
3. Take air cleaner apart and clean.
 - a. WASH foam element in kerosene or a liquid detergent and water to remove dirt.
 - b. DRY foam completely by wrapping and squeezing in a cloth.
 - c. SOAK foam with engine oil. Squeeze to distribute and remove excess oil.
4. Reassemble parts and fasten to carburetor.

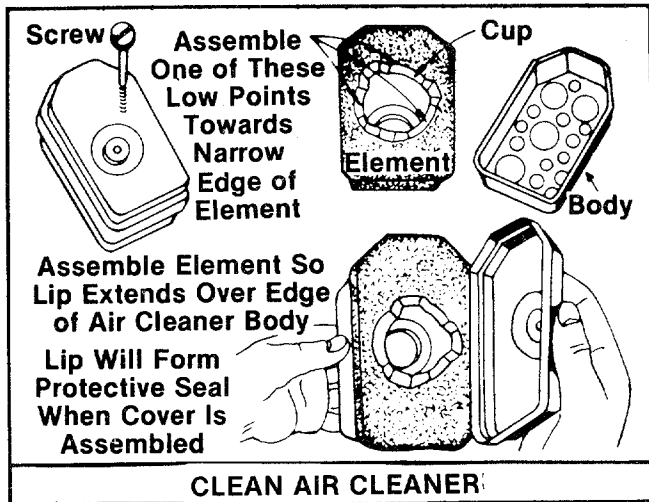


FIGURE 23.

SPARK PLUG

The spark plug should be cleaned (see figure 24) and the gap reset to a 0.030-inch clearance once a season (see figure 25). Spark plug replacement is recommended at the start of each mowing season; check engine manual for correct plug type.

NOTE

Whenever the spark plug is removed for cleaning, it is advisable to replace the spark plug gasket with a new gasket.

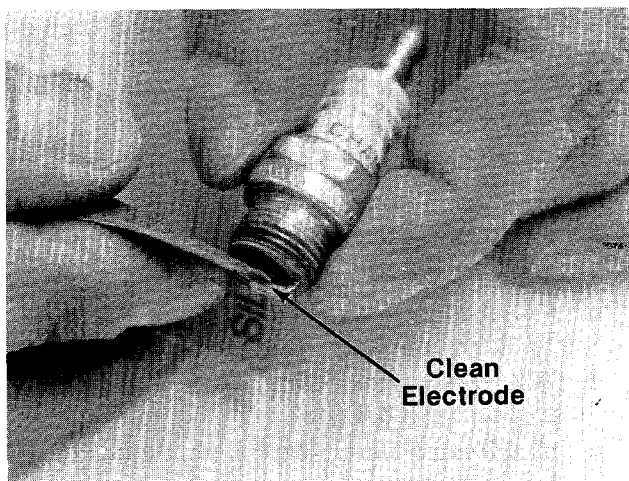


FIGURE 24.

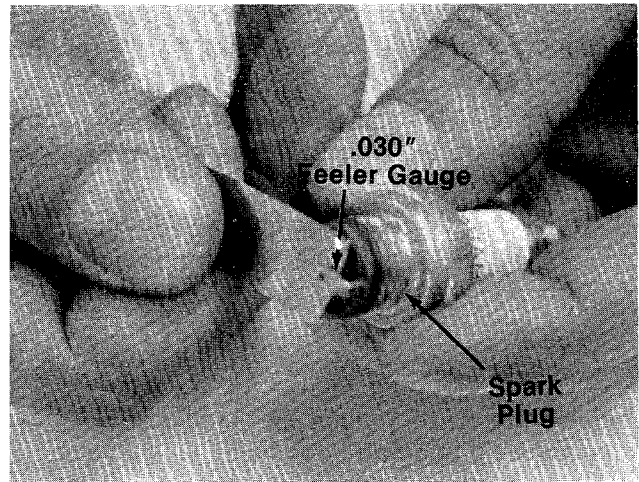


FIGURE 25.

BELT REPLACEMENT (See Figure 26)

IMPORTANT

Always stop engine and disconnect spark plug wire before performing any repairs or maintenance on the mower.

1. Remove the drive pinion cover by removing three hex self-tapping screws. A 3/8" wrench is required.
2. Remove both tension springs. See figure 26.
3. Using a screwdriver, remove the E-rings and pinions on both wheels.
4. Remove the shoulder bolt, lock washers and nut on the belt cover.
5. Remove the engagement rod.
6. Slide the belt cover to the left.
7. Unhook the belt from the idler and the pulleys.
8. Remove the shoulder bolt, lock washer and nut from the cover support bracket.
9. Remove belt and reassemble in reverse order with a new belt.

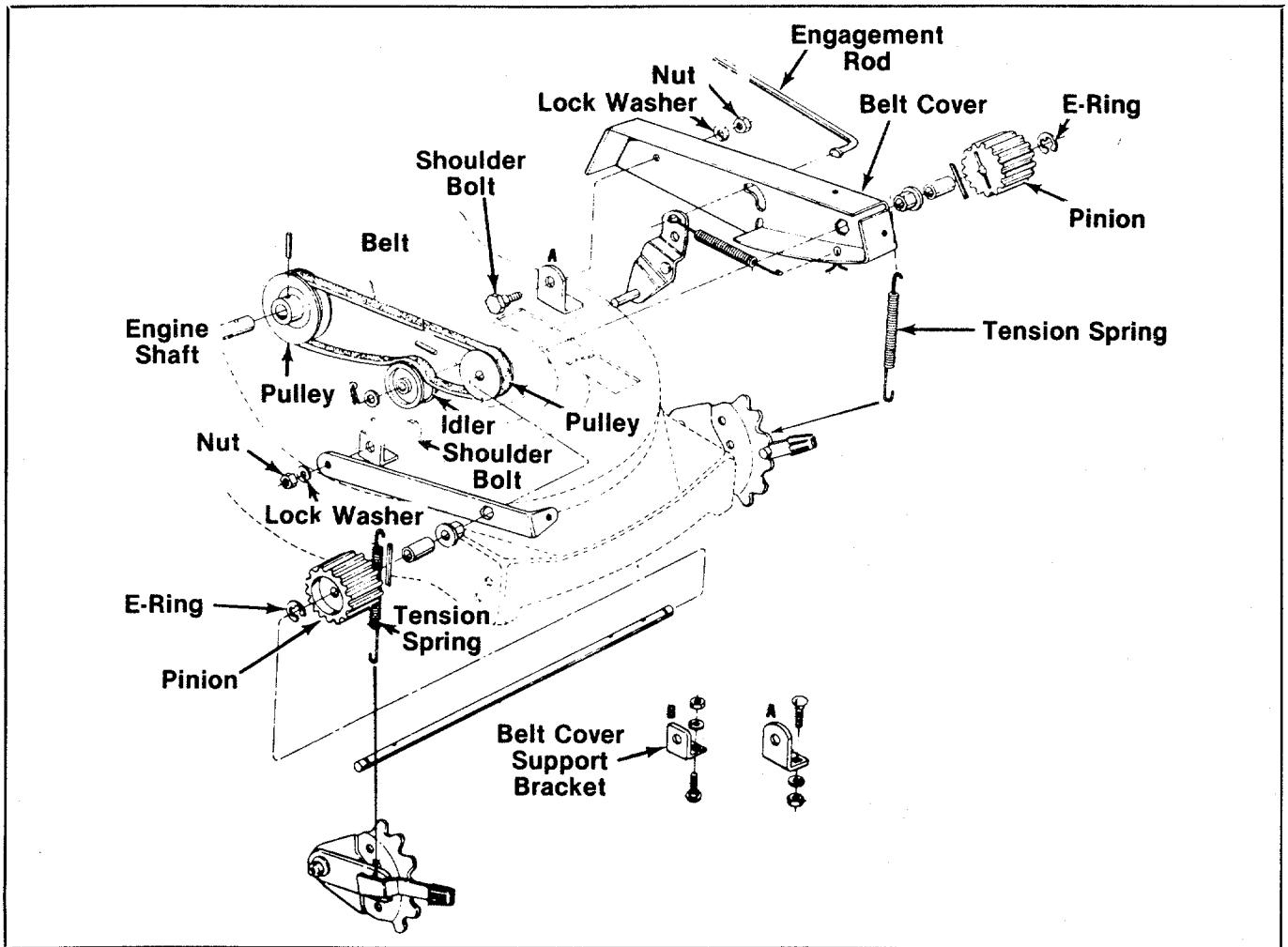


FIGURE 26.

HANDLE STORAGE

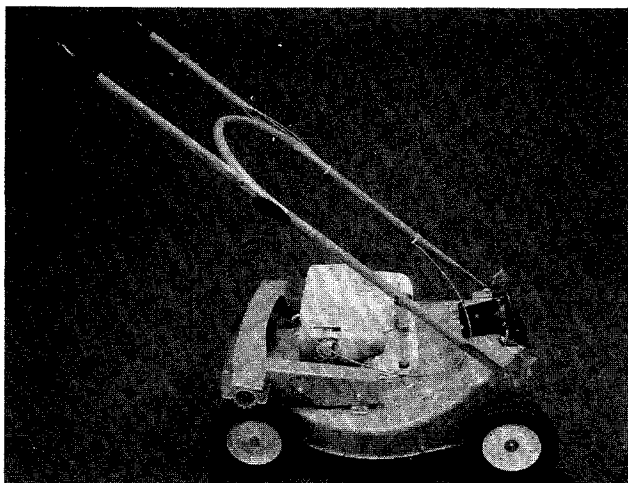


FIGURE 27.

The handle can be stored in an upright position to take less space. See figure 27. Remove engage-

ment rod. Move hairpin cotters to outer hole on weld pins (see figure 4). Grasp the lower handle at the bottom and pull apart slightly. Tip the handle forward. It will lock in this position. Reverse this procedure to place the handle in the operating position.

The handle may also be folded away completely. See figures 28 and 29.

1. Remove engagement rod.
2. Remove hairpin cotters from inner hole on weld pins on handle mount brackets. Place in outer hole.
3. Loosen the two hand knobs on the inside of the handle.
4. Pull outward on the bottom of each side of the lower handle, and push forward.
5. Fold the upper handle back and down as shown.

To take the handle out of storage position, proceed as follows.

1. Lift the upper handle up and towards the rear as shown.
2. Pull the handle back until it locks into the operator's position.
3. Tighten the two hand knobs securely.
4. Move the hairpin cotters to the inner hole on the weld pins.
5. Reassemble engagement rod. Check engagement rod adjustment.

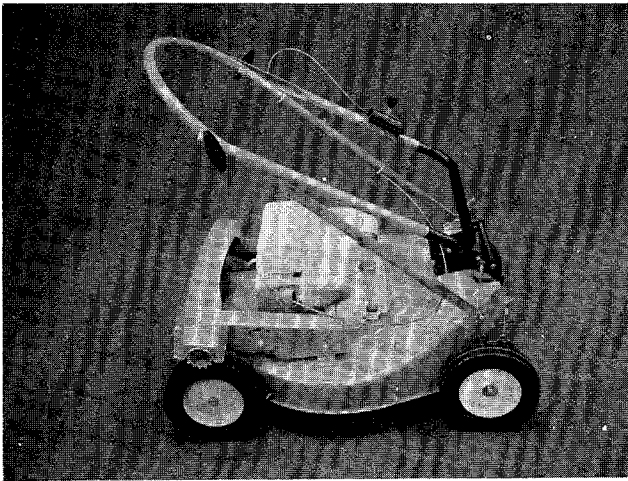


FIGURE 28.

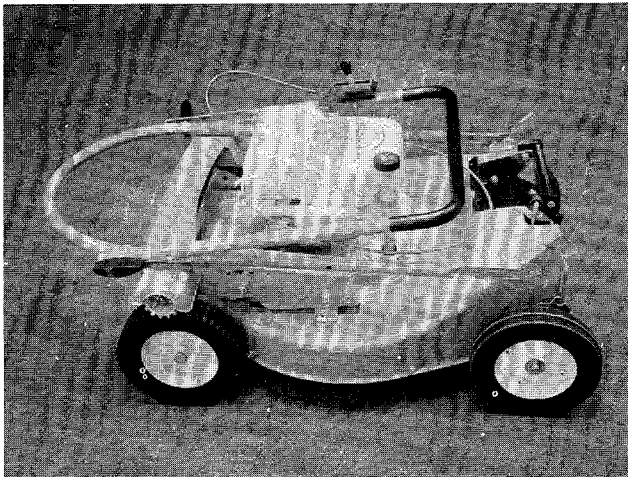


FIGURE 29.

OFF-SEASON STORAGE

If the machine is to be inoperative for a period longer than 30 days, the following procedures are recommended:

1. Working outdoors, drain all fuel from the fuel tank. Use a clean dry cloth to absorb the small amount of fuel remaining in the tank. Then run the engine until all fuel in the carburetor is exhausted.



Do not drain fuel while smoking, or if near an open fire.

2. Drain all the oil from the crankcase (this should be done after the engine has been operated and is still warm). Refill the crankcase with clean new oil.
3. Disconnect the spark plug wire and remove the spark plug from the cylinder. Pour about 2 or 3 tablespoons of engine oil into the cylinder. Turn the engine over several times to spread out the oil. Replace the spark plug, but do not connect the wire.
4. Clean the engine and the entire mower thoroughly.
5. Lubricate all lubrication points.



NOTE

The use of any accessory on this Rotary Mower other than those manufactured by the mower manufacturer is **not** recommended.



WARNING

DO NOT operate the mower with the chute door open unless the complete grass catcher is properly mounted on the mower.



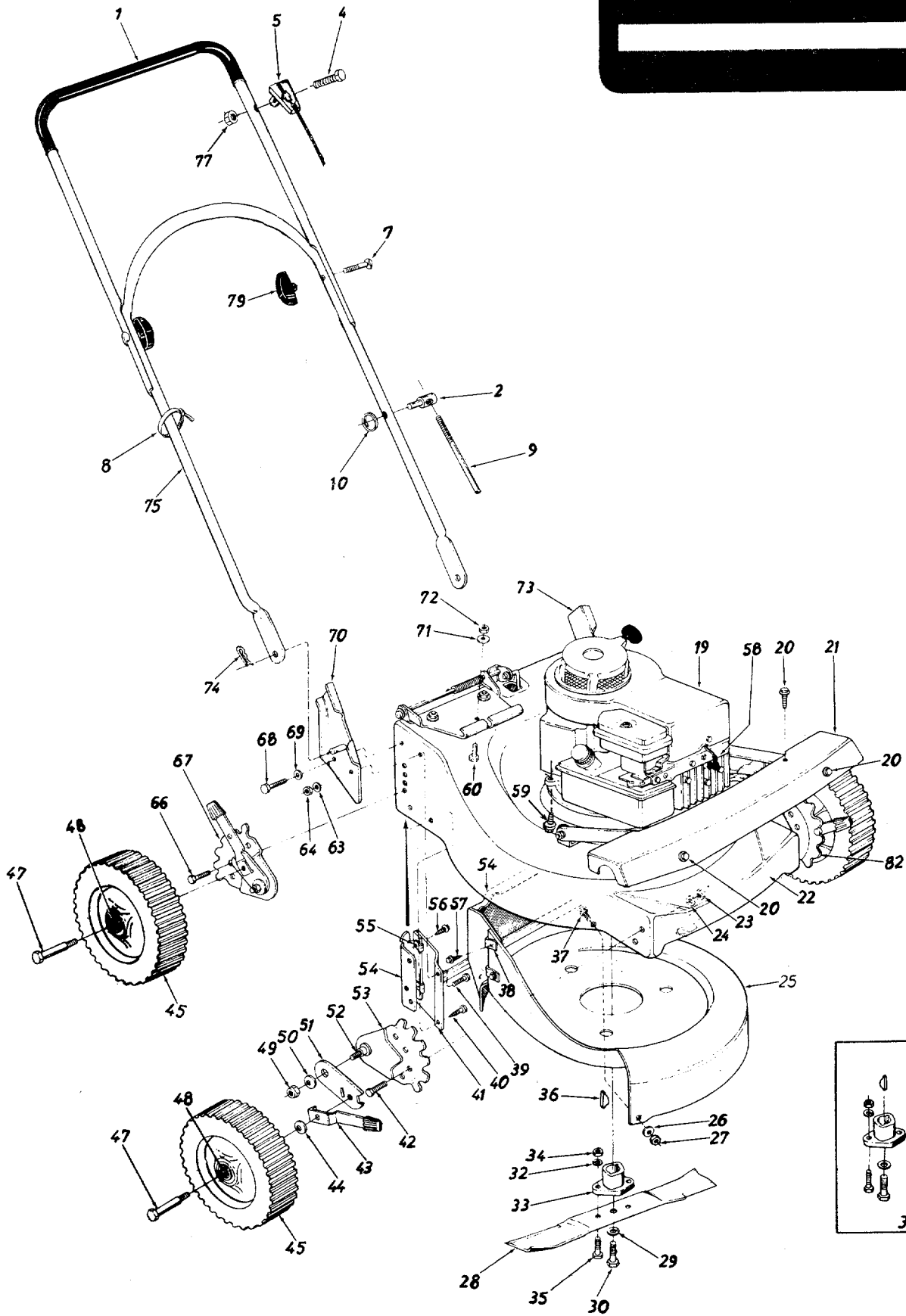
NOTE

Under normal usage bag material is subject to wear and should be checked periodically. Be sure any replacement bag complies with the mower manufacturer's recommendations.

For replacement bags, use only factory authorized replacement bag No. 764-0174.

Model 336

IF YOU WRITE TO US ABOUT THIS ARTICLE
OR IF YOU ORDER REPLACEMENT PARTS AL-
WAYS MENTION THIS MODEL & SERIAL NO
MODEL



Model 336

PARTS LIST FOR MODEL 336 ROTARY MOWER

REF. NO.	PART NO.	COLOR CODE	DESCRIPTION	NEW PART	REF. NO.	PART NO.	COLOR CODE	DESCRIPTION	NEW PART
1	718-0145		Plastic Grip Shrink Type		45	734-0538		Wheel Ass'y. Comp. 8 x 1.75	
2	711-0570		Ferrule		47	738-0102		Shld. Bolt .498 Dia. x 1.44"	
4	746-0315		Throttle Control Ass'y. Comp.					Lg.	
5	710-0606		Hex Bolt 1/4-20 x 1.50 Lg.*		48	741-0262		Fortiflex Bearing	
7	710-0405		Curved Carriage Bolt 5/16-18 x 1.75 Lg.		49	712-0375		Hex Cent. L-Nut 3/8-16 Thd.*	
8	726-0188		Cable Ties		50	736-0255		Bell-Wash. .51 I.D. x 1.12 O.D.	
9	747-0267		Engagement Rod		51	10619		Pivot Bar	
10	714-0150		Ferrule Locking Ring		52	738-0269		Shld. Bolt	
19	—		Engine B & S 3.5 H.P.		53	12323		Index Plate	
20	710-0776		Hex Wash. Hd. Self-Tap Scr. 1/4-20 x .62" Lg.		54	14514		Rear Deck Section Ass'y.	
21	12982	—456	Cover		55	712-0344		Speed Nut #10Z	
22	14510	—456	20" Rear Discharge S.P. Deck		56	710-0436		Hex B-Tap Scr. #10 x .62" Lg.	
23	712-0798		Hex Nut 3/8-16 Thd.*		57	710-0436		Hex B-Tap Scr. #10Z x .62" Lg.	
24	736-0169		L-Wash. 3/8 I.D.*		58	735-0639		Spark Plug Boot	
25	12190	—456	Rear Discharge Baffle		59	710-0654		Hex Wash Hd. Tap Scr. 3/8-16 x .88" Lg.	
26	736-0329		L-Wash. 1/4 I.D.*		60	710-0167		Carr. Bolt 1/4-20 x .50" Lg.*	
27	712-0287		Hex Nut 1/4-20 Thd.*		63	736-0329		L-Wash. 1/4" I.D.*	
28	742-0123		20" Blade		64	712-0287		Hex Nut 1/4-20 Thd.*	
29	736-0217		L-Wash. 3/8 I.D.*		66	710-0781		Hex Wash. Hd. Self-Tap Scr. 3/8-16 x .88" Lg.	
30	710-0459		Hex Bolt 3/8-24 x 1.50" Lg.*		67	12321		Height Adjustment Ass'y.—L.H.	
31	10769		Blade Adapter Kit		68	710-0289		Hex Bolt 1/4-20 x .500" Lg.*	
32	736-0119		L-Wash. 5/16" I.D.*		69	736-0329		L-Wash. 1/4" I.D.*	
33	10769		Blade Adapter Kit		70	14159		Handle Brkt. Ass'y.	
34	712-0123		Hex Nut 5/16-24 Thd.*		71	736-0329		L-Wash. 1/4" I.D.*	
35	710-0117		Hex Bolt 5/16-24 x 1.00" Lg.		72	712-0287		Hex Nut 1/4-20 Thd.*	
36	714-0365		#6 Hi-Pro Key 5/32" x 5/8" Dia.		73	14158		Handle Brkt. Ass'y.	
37	710-0167		Carr. Bolt 1/4-20 x .50" Lg.*		74	714-0104		Int. Cotter Pin .516 Dia.*	
38	726-0139		Speed Nut—U Type		75	749-0395		Lower Handle	
39	710-0599		Hex Wash. Hd. Self-Tap Scr. 1/4-20 x .50" Lg.*		76	749-0380		Upper Handle	
40	710-0294		Hex Bolt 1/4-20 x .375" Lg.*		77	712-0107		Hex Cent. L-Nut 1/4-20 Thd.	
41	12302		Side Plate		78	726-0134		Speed Nut #8-32	
42	710-0209		Hex Sems Bolt 3/8-16 x .62" Lg.*		79	09966		Knob Handle Ass'y.	
43	10530		Spring Lever Ass'y.		82	12322		Height Adjustment Ass'y.—R.H.	
44	736-0105		Bell-Wash. .40 I.D. x .88 O.D.						

(456—Radiant Tangerine)

*For faster service obtain standard nuts, bolts and washers locally. If these items cannot be obtained locally, order by part number and size as shown on parts list.

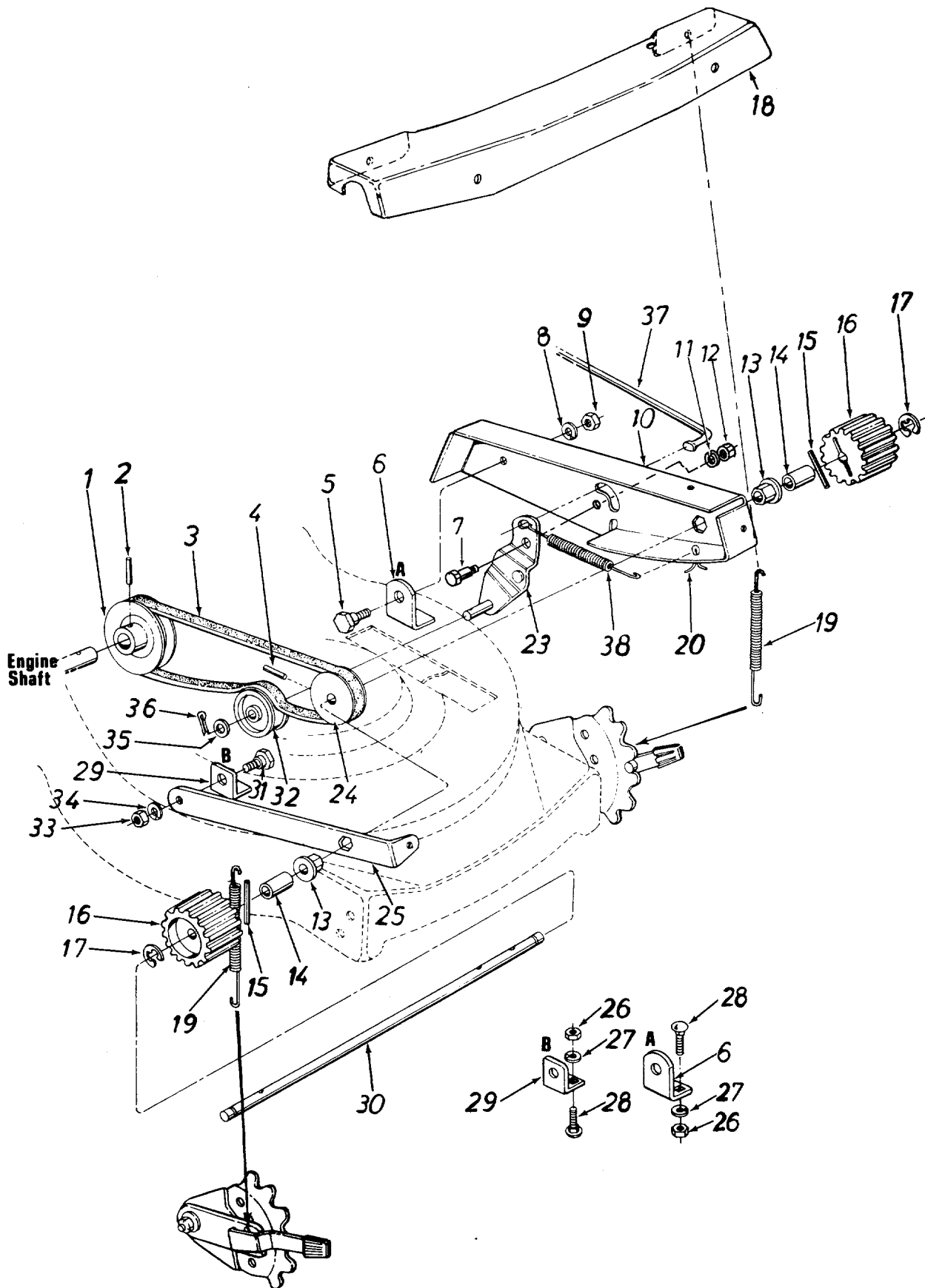
When ordering parts, if color or finish is important, use the appropriate color code shown above. (e.g. Radiant Tangerine Finish—12982 (456).)

NOTE: The engine is not under warranty by the mower manufacturer... If repairs or service is needed on the engine, please contact your nearest authorized engine service outlet. Check the "Yellow Pages" of your telephone book under "Engines—Gasoline."



This instruction manual covers various models and all specifications shown do not necessarily apply to your model. Specifications subject to change without notice or obligation.

Model 336



Model 336

PARTS LIST FOR MODEL 336 ROTARY MOWER

REF. NO.	PART NO.	COLOR CODE	DESCRIPTION	NEW PART
1	756-0289		1/2 "V"-Engine Pulley	
2	715-0246		Spring Pin Spiral 3/16" Dia. x 1.25" Lg.	
3	754-0163		"V"-Belt 1/2" x 28.0" Lg.	
4	715-0247		Spring Pin Spiral 3/16" Dia. x 1.00" Lg.	
5	738-0147		Shld. Bolt .500 Dia. x .170	
6	12978		Belt Cover Pivot Brkt.	
7	738-0147		Shld. Bolt .500 Dia. x .170	
8	736-0169		L-Wash. 3/8" I.D.*	
9	712-0342		Hex Jam Nut 3/8-16 Thd.	
10	13613	—456	Belt Cover Ass'y.	
11	736-0169		L-Wash. 3/8" I.D.*	
12	712-0342		Hex Jam Nut 3/8-16 Thd.	
13	748-0228		Hex Flange Brg. .503 I.D.	
14	711-0313		Spacer .52 I.D. x .69 O.D. x .88	
15	715-0246		Spring Pin Spiral 3/16 Dia. x 1.25" Lg.	
16	731-0393		13 Teeth Drive Pinion	
17	716-0104		"E"-Ring for .500 Dia. Shaft	
18	12982	—456	Cover	
19	732-0344		Extension Spring .40 O.D. x 3.00" Lg.	
20	714-0115		Cotter Pin	
23	13608		Idler Brkt. Ass'y.	
24	756-0290		1/2 "V"-Pulley	
25	12980		Cover Support Brkt.	
26	712-0287		Hex Nut 1/4-20 Thd.*	
27	736-0329		L-Wash. 1/4" I.D.*	
28	710-0167		Carriage Bolt 1/4-20 x .500" Lg.	
29	12979		Cover Support Pivot Brkt.	
30	738-0356		Pinion Shaft	
31	738-0147		Shld. Bolt .500 Dia. x .170	
32	756-0360		Plastic Flat Idler	
33	712-0342		Hex Jam Nut 3/8-16 Thd.*	
34	736-0169		L-Wash. 3/8" I.D.*	
35	736-0150		FI-Wash. .53 I.D. x .94 O.D.	
36	714-0115		Cotter Pin 1/8" Dia. x 1.00" Lg.*	
37	747-0267		Engagement Rod	
38	732-0395		Extension Spring	

*For faster service obtain standard nuts, bolts and washers locally. If these items cannot be obtained locally, order by part number and size as shown on parts list.

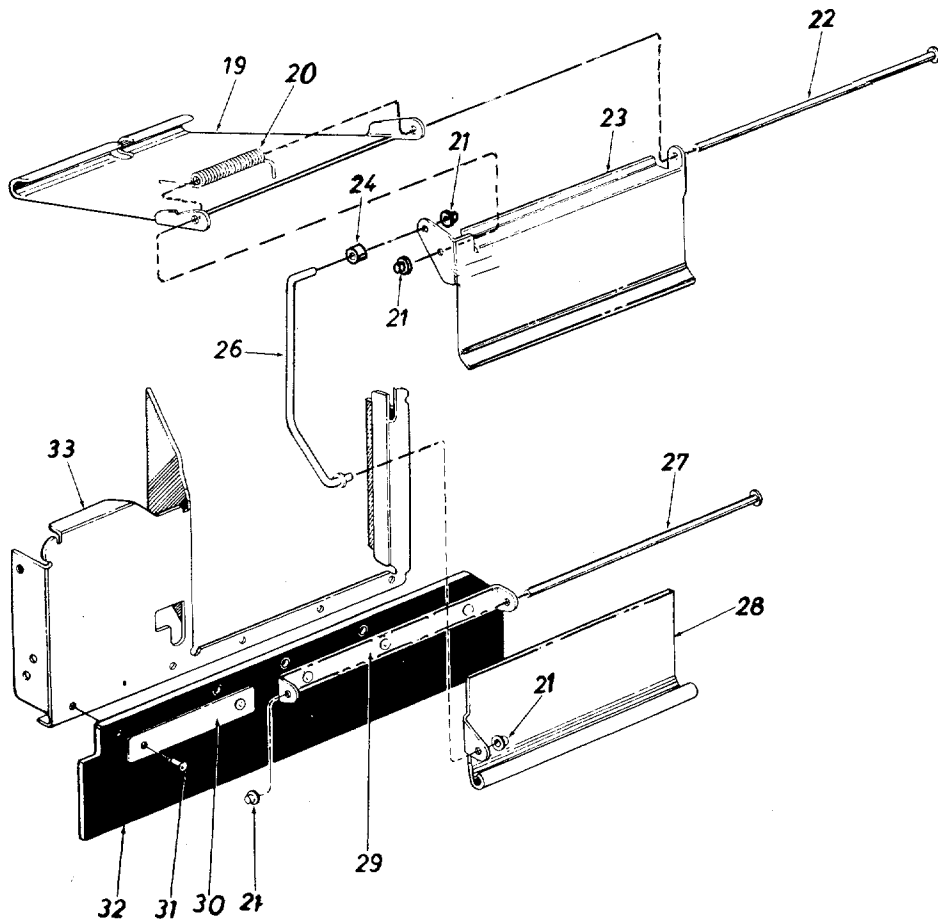
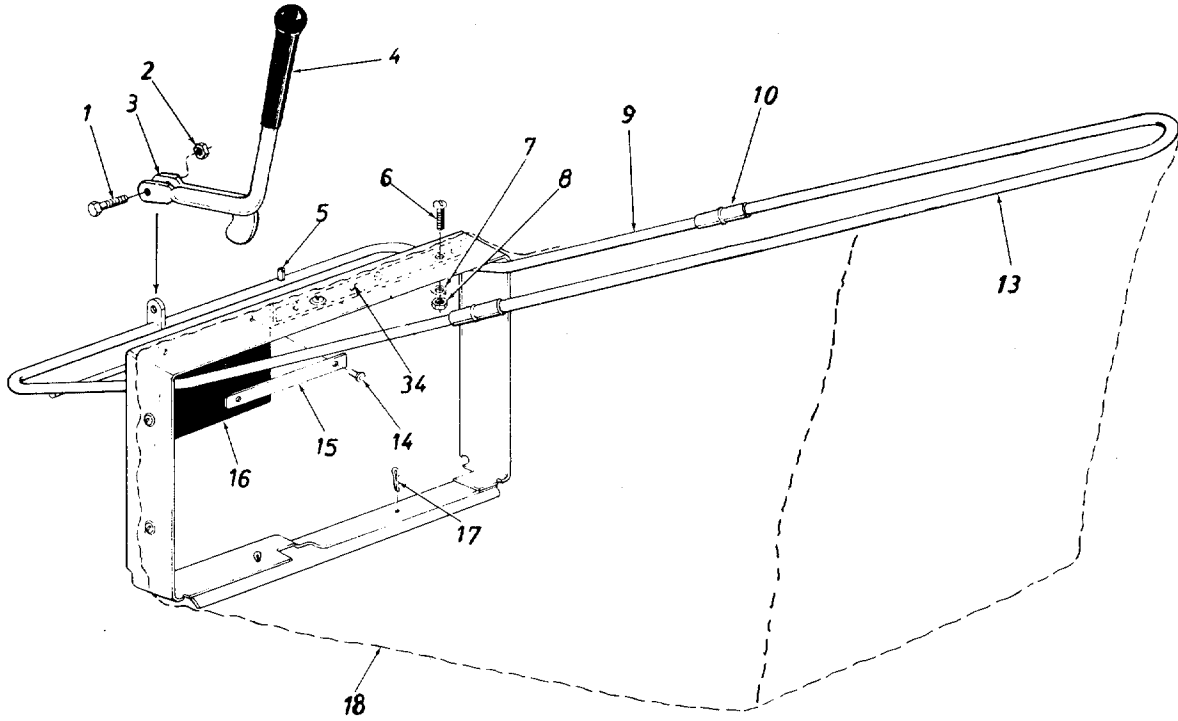
(456—Radiant Tangerine) When ordering parts, if color or finish is important, use the appropriate color code shown at left. (e.g. Radiant Tangerine Finish—12609(456).)

The engine is not under warranty by the mower manufacturer. If repairs or service is needed on the engine, please contact your nearest authorized engine service outlet. Check the "Yellow Pages" of your telephone book under "Engines—Gasoline."

Find It Fast
In The
Yellow Pages



Model 336



oil reflector

Model 336

PARTS LIST FOR MODEL 336 ROTARY MOWER

REF. NO.	PART NO.	COLOR CODE	DESCRIPTION	NEW PART
1	710-0117		Hex Bolt 5/16-24 x 1.00" Lg.*	
2	712-0305		Hex Cent. L-Nut 5/16-24 Thd.	
3	12393		Cam Lever Ass'y.	
4	720-0143		Grip	
5	715-0247		Spring Pin Spiral	
6	710-0192		Truss Mach. Scr. #10-24 x .38" Lg.*	
7	736-0147		Ext. L-Wash. #10 I.D.	
8	712-0121		Hex Nut #10-24 Thd.*	
9	14131		Catcher Frame Ass'y. Lower Half	
10	750-0473		Tubing Connector	
13	749-0371		Frame—Rear Half	
14	728-0156		Rivet	
15	12185		Reinforcement Bar	
16	735-0184		Grass Catcher Flap	
17	714-0115		Cotter Pin 1/8" Dia. x 1.00" Lg.*	
18	764-0174		Grass Catcher Bag	
19	12192		Grass Catcher Adapter	
20	732-0295		Torsion Spring	
21	726-0135		Push Nut 5/16" Rod	
22	738-0253		Hinge Rod	
23	12395		Chute Door—Upper Half	
24	748-0246		Roller Spacer	
26	747-0141		Connecting Rod	
27	738-0253		Hinge Rod	
28	12194		Chute Door—Lower Half	
29	12195		Hinge Bracket	
30	12185		Reinforcement Bar	
31	728-0131		Rivet .188 x .438	
32	735-0167		Rear Protective Flap	
33	14513		Rear Deck Section Ass'y.	
34	12316		Reinforcement Bar	

*For faster service obtain standard nuts, bolts and washers locally. If these items cannot be obtained locally, order by part number and size as shown on parts list.

PARTS INFORMATION

POWER EQUIPMENT PARTS AND SERVICE

Parts and service for all MTD manufactured power equipment are available through the authorized service firms listed below. All orders should specify the model number of your unit, part numbers, description of parts and the quantity of each part required.

NOTE: If any parts are found to be missing or defective upon assembly of this unit, write to advise the factory so that immediate replacement can be made.

ALABAMA	BIRMINGHAM
Auto Electric & Carburetor Co.	2625 4th Ave. S. 35233
ARKANSAS	FORT SMITH
Mity Mite Motors, Inc.	4515 S. 16th St. 72901
Sutton's Lawn Mower Shop	NORTH LITTLE ROCK
	Rt. 4, Box 368 72117
CALIFORNIA	PORTERVILLE
Billious	75 North D Street 93257
COLORADO	DENVER
Spitzer Industrial Products Co.	6601 N. Washington St., Box 29114 80229
FLORIDA	JACKSONVILLE
Radco Distributors	4909 Victor St., Box 5459 32207
Small Eng. Dist.	OPA LOCKA
	2351 N.W. 147th St. 33054
GEORGIA	EAST POINT
East Point Cycle & Key	2834 Church St. 30344
ILLINOIS	LYONS
Keen Edge Co.	8615 Ogden Ave. 60534
INDIANA	ELKHART
Parts & Sales Inc.	2101 Industrial Pkwy. 46514
IOWA	DUBUQUE
Power Lawn & Garden Equip.	2551 J.F. Kennedy 52001
LOUISIANA	NEW ORLEANS
Suhren Engine Co.	8330 Earhart Blvd. 70118
MARYLAND	TAKOMA PARK
Center Supply Co.	6867 New Hampshire Ave. 20012
MASSACHUSETTS	SPRINGFIELD
Morton B. Collins Co.	300 Birnie Ave. 01107
MICHIGAN	LANSING
Lorenz Service Co.	2500 S. Pennsylvania 48910
Power Equipment Dist.	MOUNT CLEMENS
	340 Hubbard 48043
MINNESOTA	HOPKINS
Hance Distributing Inc.	420 Excelsior Ave. W. 55343
MISSISSIPPI	BILOXI
Biloxi Sales & Service, Inc.	506 Caillavet St. 39533
MISSOURI	KANSAS CITY
Automotive Equip. Service	3117 Holmes St. 64109
Ross-Frazier Supply Co.	ST. JOSEPH
	8th and Monterey 64503
Henzler, Inc.	ST. LOUIS
	2015 Lemay Ferry Rd. 63125
NEW JERSEY	BELLMAWR
Lawnmower Parts Inc.	717 Creek Rd. 08030
NEW MEXICO	ALBUQUERQUE
Spitzer Eng. & Parts	1023 Third St. N.W. 87103
NEW YORK	CARTHAGE
Gamble Dist., Inc.	West End Ave. 13619

BRIGGS AND STRATTON, TECUMSEH AND PEERLESS PARTS AND SERVICE

Briggs & Stratton, Tecumseh and Peerless parts and service should be handled by your nearest authorized engine service firm. Check the yellow pages of your telephone directory under the listing **Engines—Gasoline**, Briggs & Stratton or Tecumseh Lauson.

NORTH CAROLINA	GOLDSBORO
Smith Hardware Co.	515 N. George St. 27530
Dixie Sales Company	GREENSBORO
	335 N. Green 27402
OHIO	CARROLL
Stebe's Mid-State Mower Supply	71 High St., Box 366 43112
Bleckrie, Inc.	CLEVELAND
	7900 Lorain Ave. 44102
National Central	WADSWORTH
	687 Seville Rd. 44281
Burton Supply Co.	YOUNGSTOWN
	1301 Logan Ave., Box 929 44501
OKLAHOMA	MUSKOGEE
Victory Motors, Inc.	605 S. Cherokee 74401
OREGON	PORTLAND
Kenton Supply Co.	8216 N. Denver Ave. 97217
PENNSYLVANIA	HARRISBURG
EECO Inc.	4021 N. 6th St. 17110
Thompson Rubber Co.	PHILADELPHIA
	5222-24 N. Fifth St. 19120
Bluemont Co.	PITTSBURGH
	11125 Frankstown Rd. 15235
Frank Roberts & Sons	PUNXSUTAWNEY
	R. D. 2 15767
TENNESSEE	KNOXVILLE
Master Repair Service	2000 Western Ave. 37921
American Sales & Service, Inc.	MEMPHIS
	3035-43 Bellbrook 381
TEXAS	DALLAS
Marr Brothers, Inc.	423 E. Jefferson 75203
Woodson Sales Corp.	FORT WORTH
	1702 N. Sylvania 76111
Bullard Supply Co.	HOUSTON
	2409 Commerce St. 77003
UTAH	SALT LAKE CITY
A-1 Engine & Mower Co.	437 E. 9th St. 84111
VERMONT	BURLINGTON
Vermont Hdwe. Co. Inc.	180 Flynn Ave. 05401
VIRGINIA	ASHLAND
RBI Corp.	Lake Ridge Park, 101 Cedar Run Dr. 23005
WASHINGTON	SEATTLE
Bailey's Inc.	1414 14th Ave. 98102
WEST VIRGINIA	CHARLESTON
Young's, Inc.	233 Virginia St., E. 25301
WISCONSIN	MARSHFIELD
Power Pac	301 E. 29th St. 54449

WARRANTY PARTS AND SERVICE POLICY

The purpose of warranty is to protect the customer from defects in workmanship and materials, defects which are NOT detected at the time of manufacture. It does not provide for the unlimited and unrestricted replacement of parts. Use and maintenance are the responsibility of the customer. The manufacturer cannot assume responsibility for conditions over which it has no control. Simply put, if it's the manufacturer's fault, it's the manufacturer's responsibility; if it's the customer's fault, it's the customer's responsibility.

CLAIMS AGAINST THE MANUFACTURER'S WARRANTY INCLUDES:

1. Replacement of Missing Parts on new equipment.
2. Replacement of Defective Parts within the warranty period.
3. Repair of Defects within the warranty period.

All claims MUST be substantiated with the following information:

1. Model Number of unit involved.
2. Date unit was purchased or first put into service.
3. Date of failure.
4. Nature of failure.